

aquatica®

*Function, Form & Fashion*



*Lorena-W-108 & Lorena-W-110*

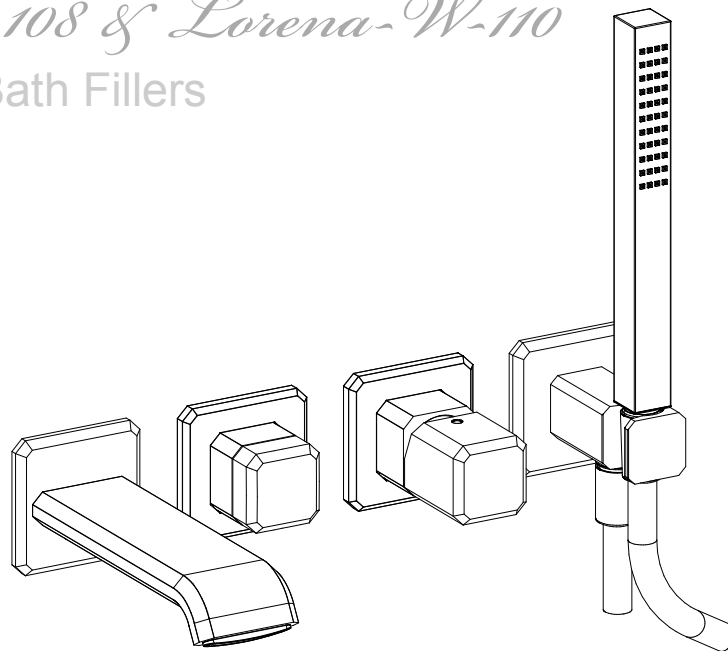
Wall Mounted Bath Fillers

Installation & Care Manual  
Europe / International

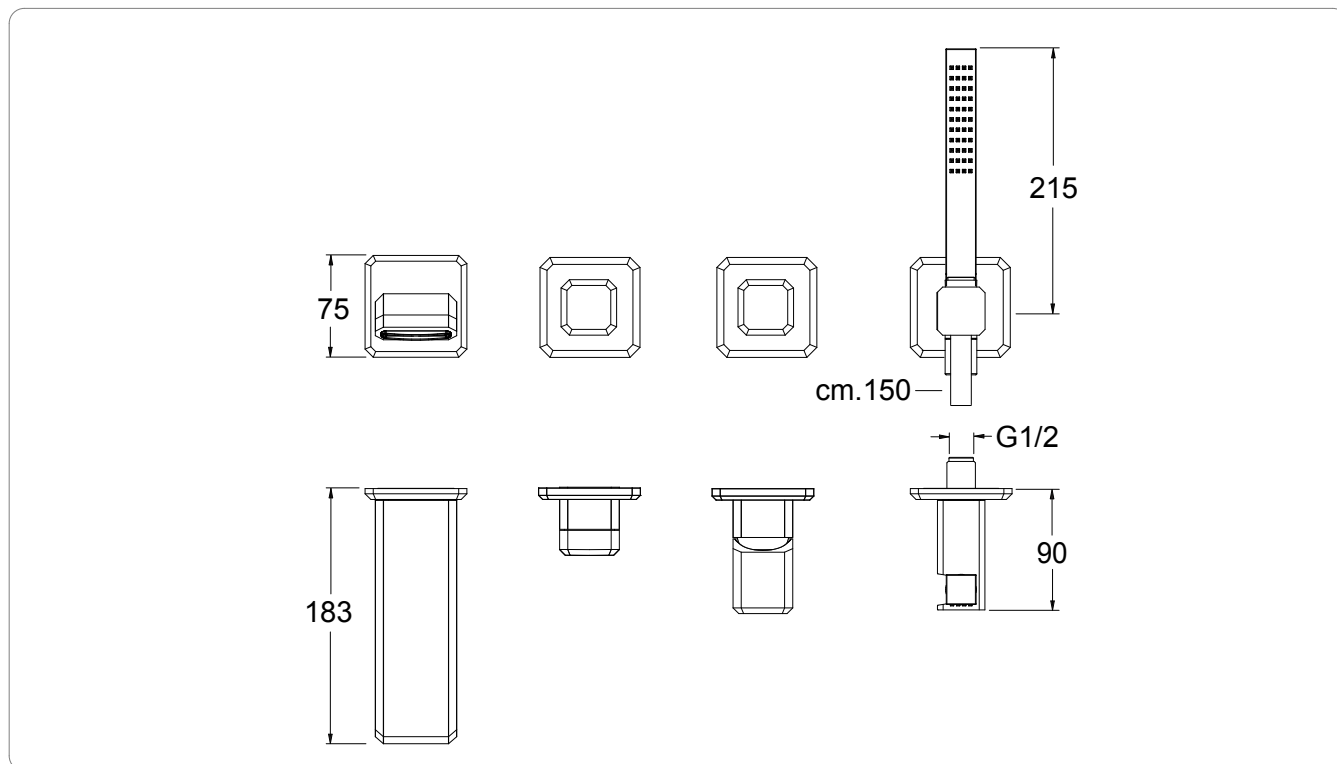
# Lorena-W-108 & Lorena-W-110

## Wall Mounted Bath Fillers

### PARTS LIST



 MEASUREMENTS: mm



### SPECIFICATIONS

Recommended operational pressure .....	1-5 bar
Maximum test pressure .....	16 bar
Maximum hot water temperature .....	70 °C
Recommended temperature .....	50-60 °C
Pressure difference between hot and cold water .....	max. 1,5 bar

### IMPORTANT NOTE

- Installation to be performed by qualified personnel
- Before connecting to mains, bleed the pipes to avoid damage.



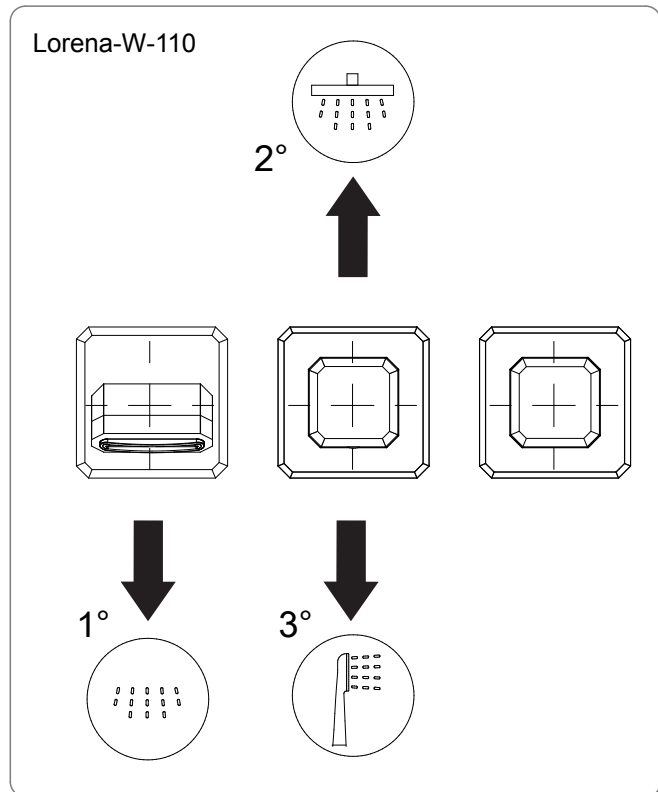
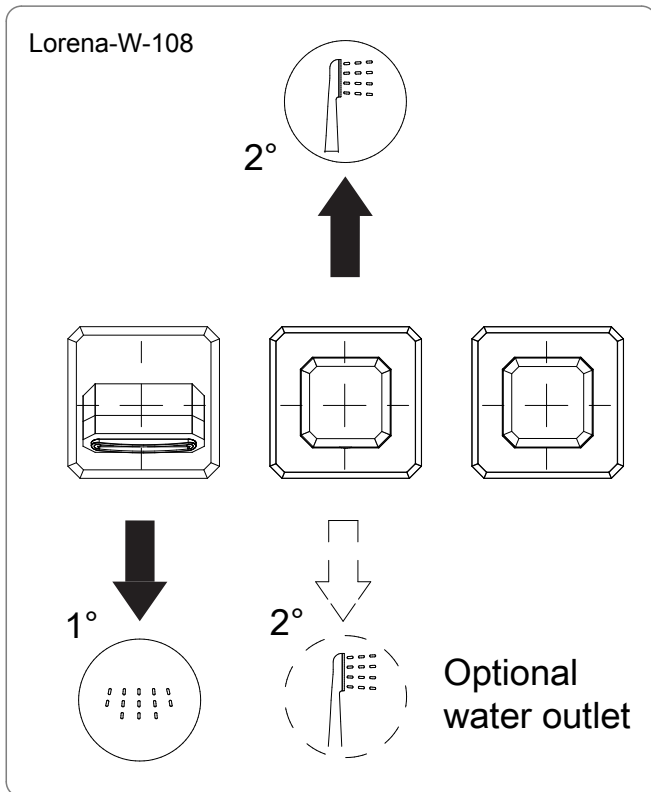
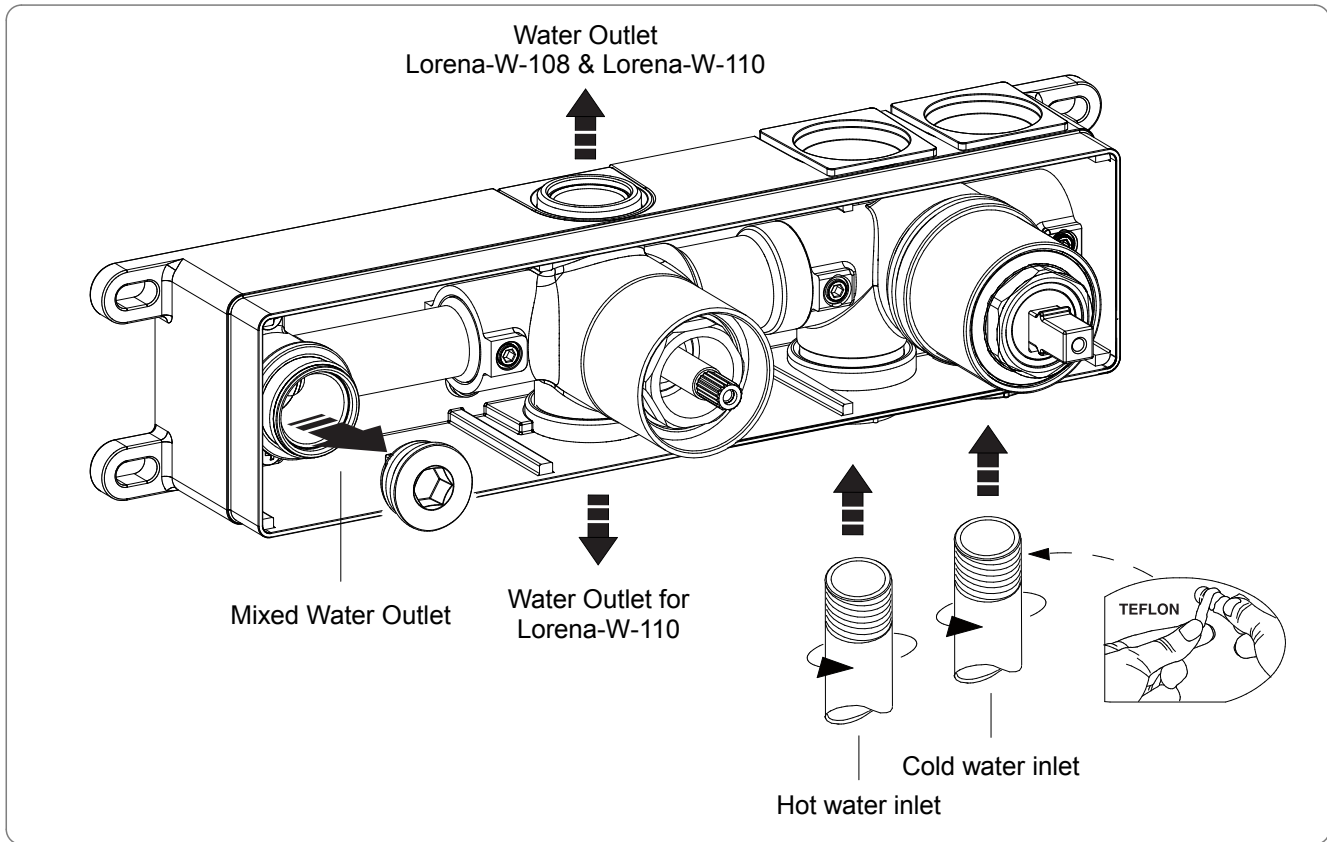
# Lorena-W-108 & Lorena-W-110

# aquatica®

## Wall Mounted Bath Fillers

*Function, Form & Fashion*

### INSTALLATION

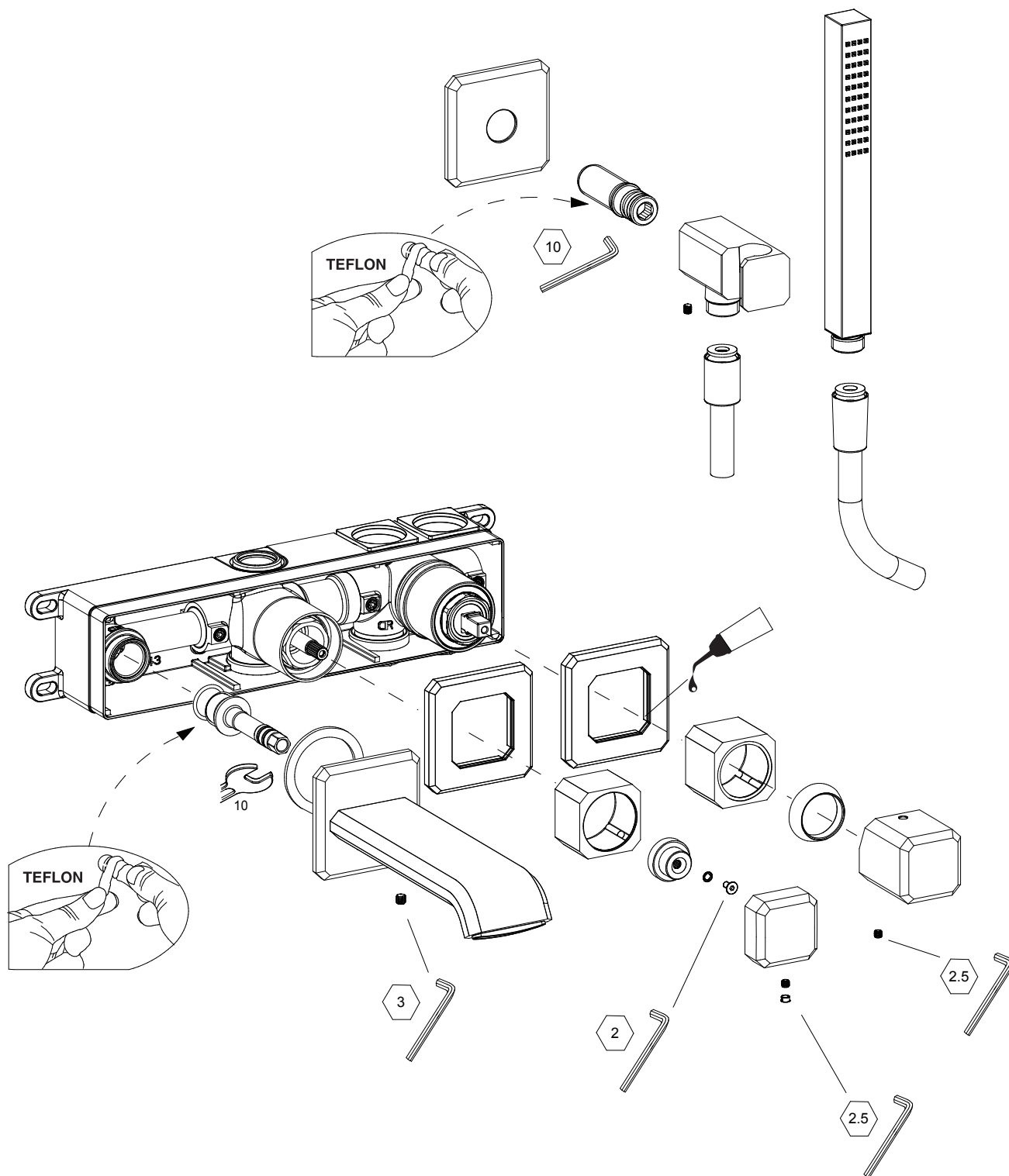


aquatica®  
*Function, Form & Fashion*

# Lorena-W-108 & Lorena-W-110

## Wall Mounted Bath Fillers

### INSTALLATION



# aquatica®

*Function, Form & Fashion*

